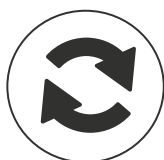


ACCESS CONTROLLER BE-TECH MJM 01/MJM 02



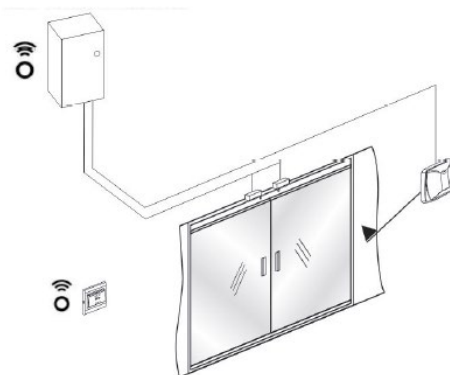
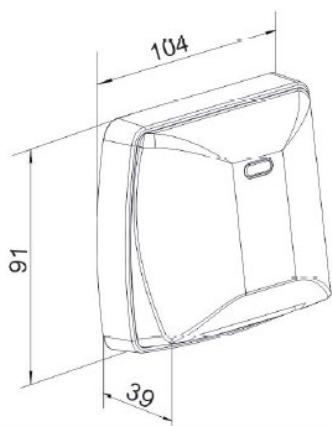
simple and quick
management



Open
with MiFare
card

Be-Tech ACCESS CONTROLLER

MJM 01/ MJM02



Model	MJM 01 – one-way MJM 02- two-way
Product designation	Hotels/Guesthouses – inside the building
Standard	Mifare 13,56 MHz
Opening	Nośnik MiFare / klucz awaryjny / Bluetooth (jako opcja dodatkowa)
Dimensions	111 x94x39mm
Load current	Max 3A/12VDC
Supply voltage	12V DC
Material	Stainless steel / plastic
Installation	Internal
Other	integration with fire protection system
History of events	memory of last 400 events
Software	BIS Hotel
Management	Compatible with BIS Hotel and BIS Locker systems
Warranty	24 months*

*Possibility to extend the warranty - ask the seller for details