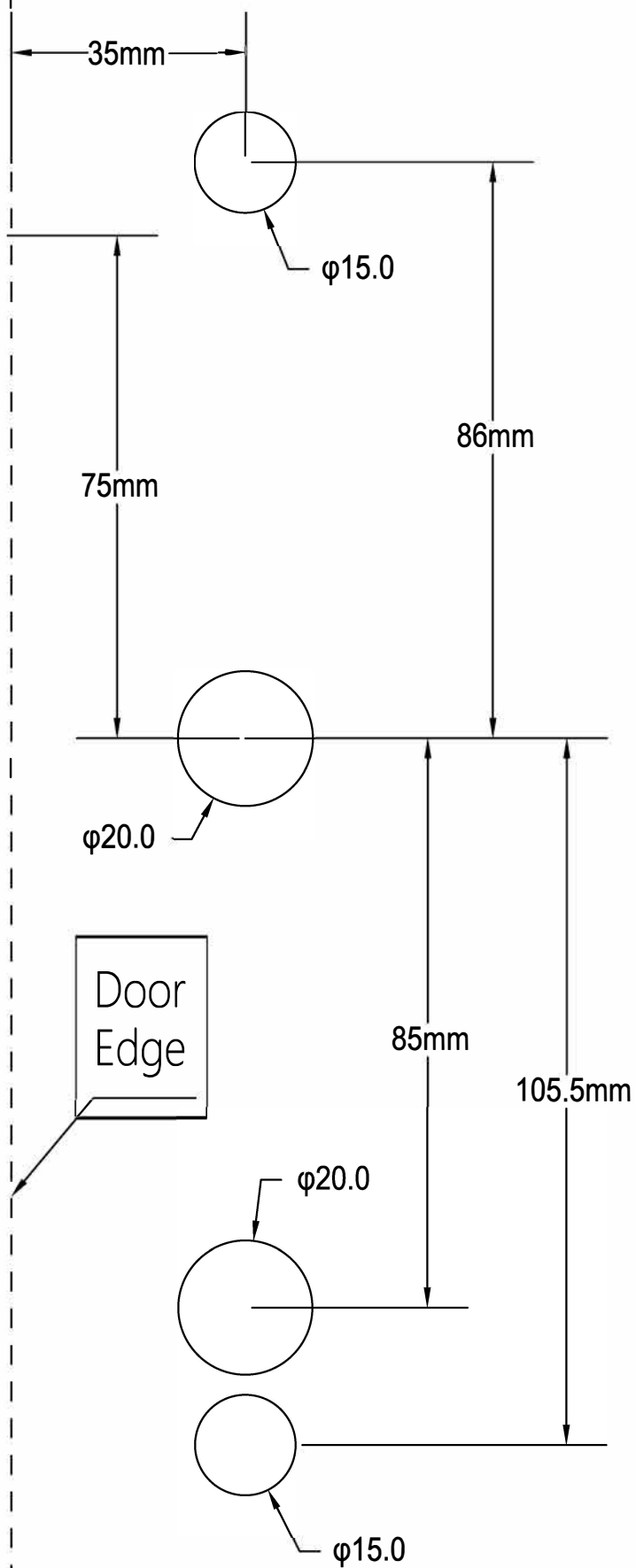


Hole-drilling Drawing

Ratio 1:1

Drill holes as to this drawing



Door Edge