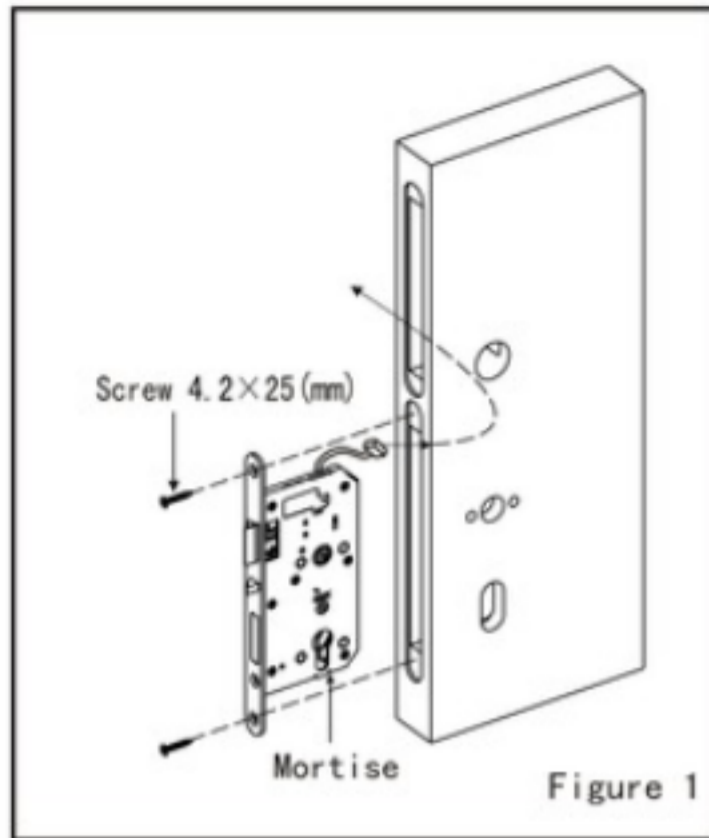
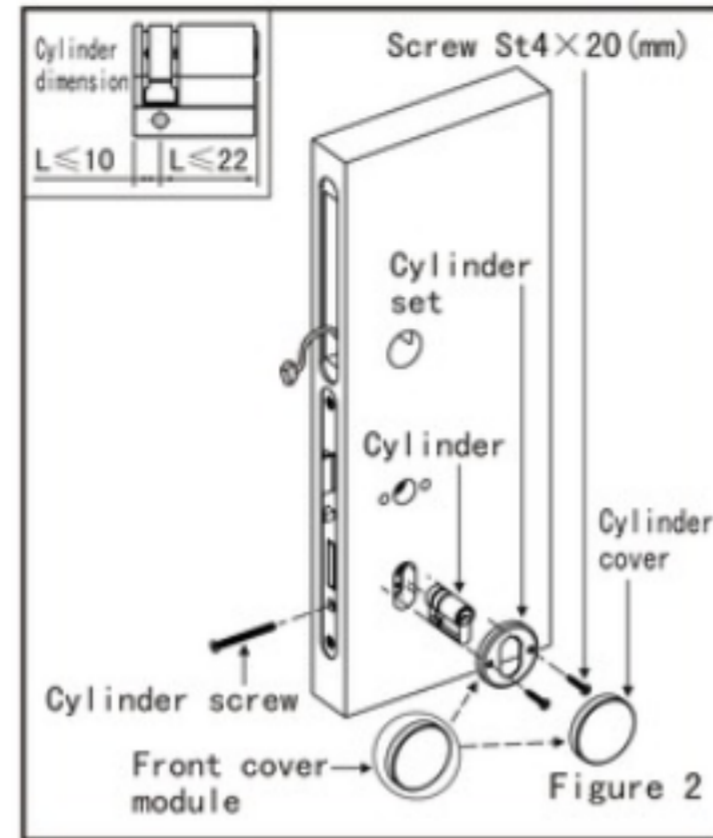


Installation Guide S6XXM-AN5

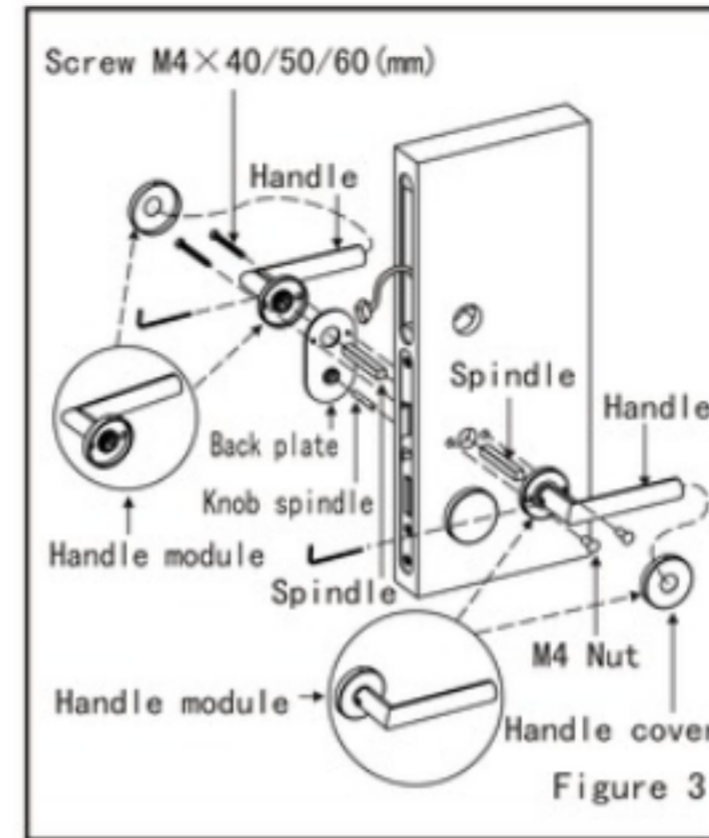
Note: 1. The lock's appearance in instruction may differ with actual lock, but same way to install.
2. Door gap requirement: When door closed, the gap between Face plate and Strike plate should be 1-6mm.



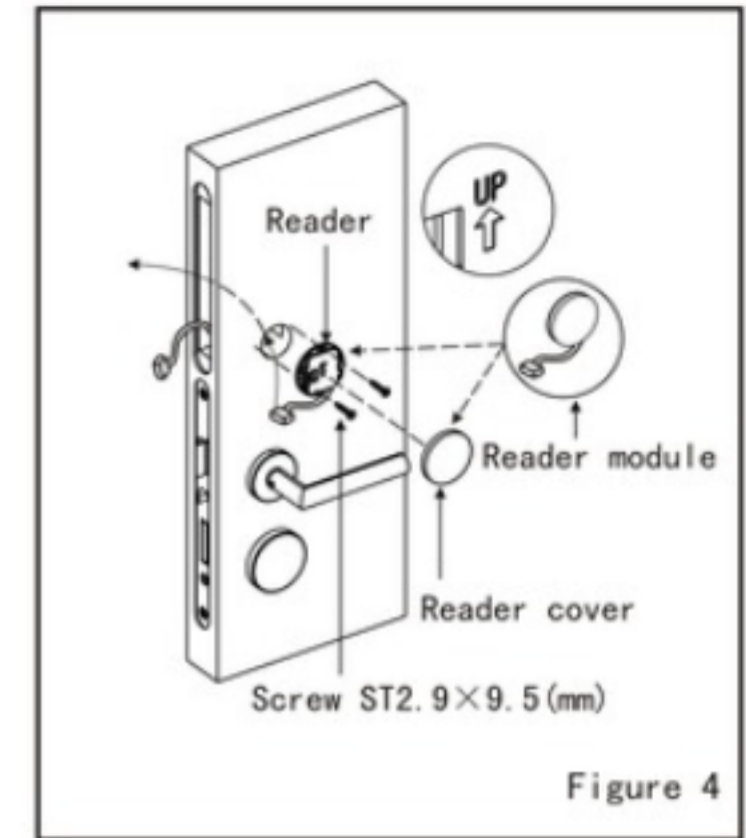
(1) As figure 1: Lead the nylon cable tie in the inclined hole and reach out the end of the nylon cable tie, then encircle the cable of Mortise, pull over to the top hole. Mount the Mortise on the door and fix it with screws.



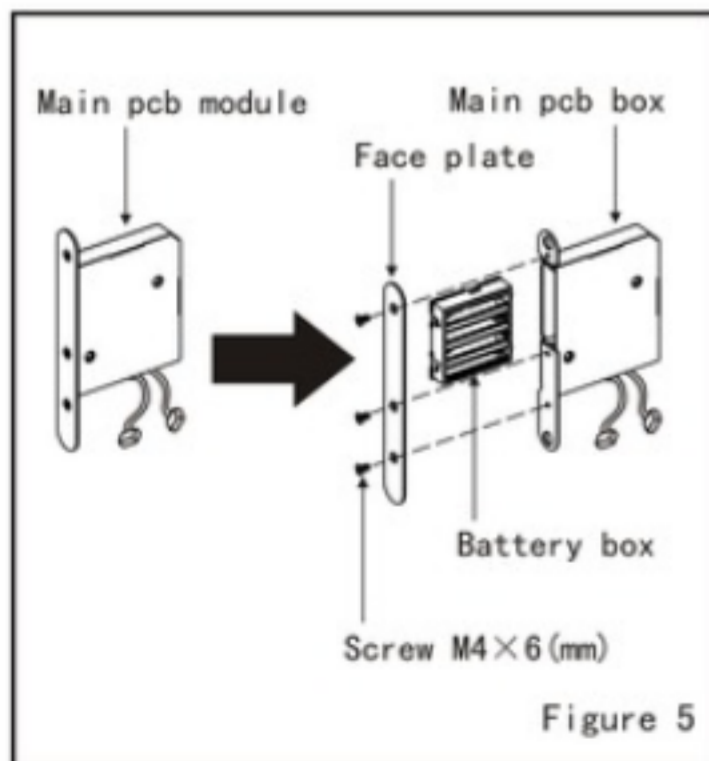
(2) As figure 2: Rotate to part the cover modules into Cylinder sets and cylinder covers. Insert Cylinder into mortise and fix with cylinder screw. (If customer prepare cylinder themselves, please make sure the size of cylinder is the same with the dimension above) Then use the corresponding screws to fix the Cylinder sets, mount the cylinder covers.



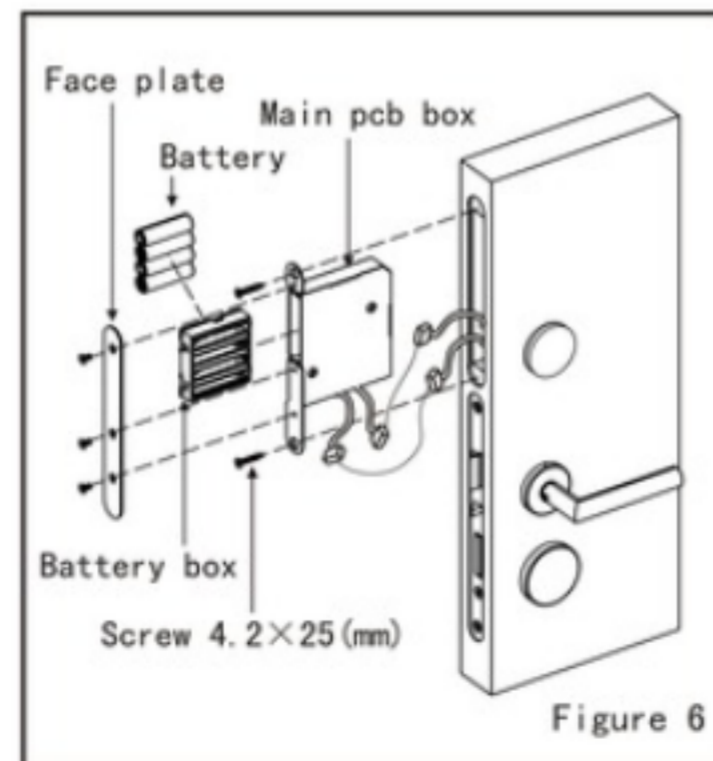
(3) As figure 3: Part the Handle modules into Handle covers and Handles. Loose the screw from handle by allen key (till Spindle able to insert). Put the Spindle and Knob spindle in the Mortise, then fix the Handle and Back plate with screws and nuts (M4x40 for 35-45 door thickness, M4x50 for 45-55, M4x60 for 55-65). Tight the screw from Handle with allen key, mount the Handle cover at last.



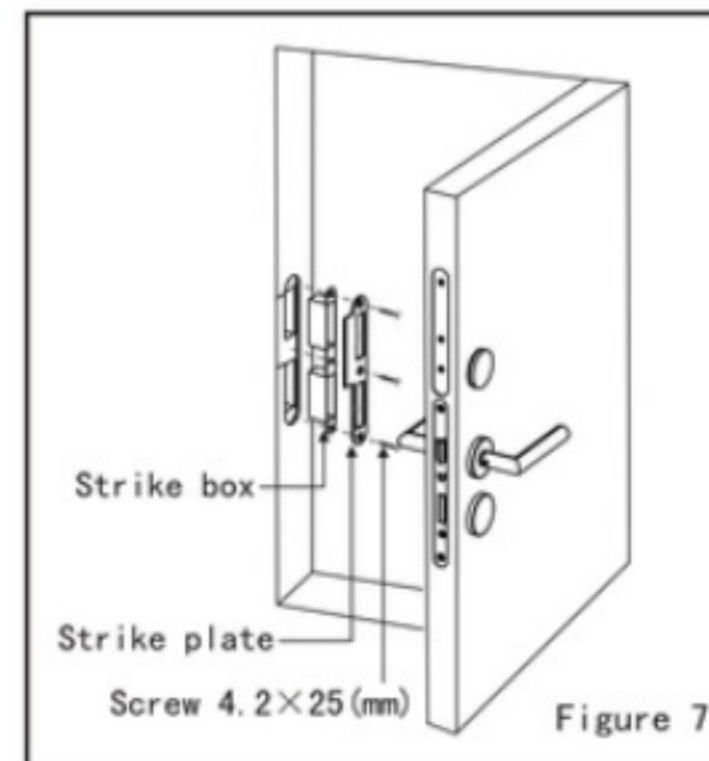
(4) As figure 4: Part the Reader module into Reader cover and Reader. Let the cable get through the door leaf and stretch out from the side hole, fix the reader with screws (mind the arrow upwards), then mount the reader cover.



(5) As figure 5: Part the Main pcb into Face plate, Battery box and Main pcb box.



(6) As figure 6: Part the Main pcb into Face plate, Battery box and Main pcb box. Connect the cables of Reader, mortise and Main pcb box. Put the Main pcb box into door along with the cables, fix with screws. Place batteries in Battery box, put into the Main pcb box, fix the Face plate with screws.



(7) As figure 7: Install the Strike box and Strike plate on the door frame, fixed with screws. Check if lock and mortise works properly by using cards to open.